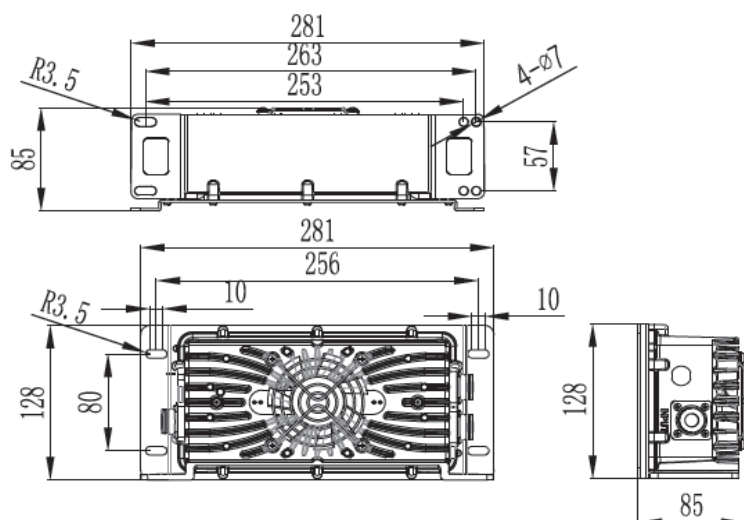


Size and Capacity



Models	Rated Voltage for Battery Pack	Max Output Voltage	Max Output Current
SP24XX	24 V	34V	25A
SP36XX	36 V	51V	25A
SP48XX	48 V	68V	25A
SP60XX	60 V	85V	20A
SP72XX	72 V	102V	18A

Technical Parameters

AC Input Voltage Range: 90-264VAC; 45-65Hz
 AC Input Max Current: 7.8A @100VAC; 7.3A @220VAC
 Power Factor: ≥0.99
 Efficiency: ≥94.0%
 Noise: ≤45dB
 Protection level: IP67
 Net Weight: 2.0kg
 Operating Temperature: -30°C -65°C
 Storage Temperature: -40°C -95°C

Product Characteristics

SAFETY

Active PFC and LLC technique is applied for a rapid respond on a fault; Quick active software self-protection and reliable passive hardware self-protection on VOLTAGE&CURRENT; Advanced charging strategy is integrated as a safeguard for battery system.

RELIABILITY

The shell is shaped by integrated die casting technique, and filled with special glue. The active cooling fan is also designed to be a fan with a potting structure and a longer life. Products of Charger Series have been operating in all kinds of industrial environment (Wet, Hot, Cold, high altitude) for more than ten years, the design is proved to pass the verification.



Features & Applications

- **Burnout Protection:** Temperature of charger exceeds the limitation, the charger will low down the power load. Temperature of environment exceeds 65°C, the charger will stop charging and switch itself to standby mode until temperature of environment goes down.
- **Protection for Reverse Connection of Batteries:** The circuit inside the charger shuts down with batteries when the batteries are connected reversely and will not damage the charger.
- **NO-load Protection:** There is no output when the batteries are not connected.
- **Short Circuit Protection:** The circuit inside the charger shuts down with batteries when output is short circuit. The charger will start charging only after troubleshooting and restart the charger.
- **Automatic shutdown when fully charging:** The charger automatically turns off after the battery is fully charged according to the charger's judgment.
- **This series chargers design of sealed structure.** It is suitable for flooded lead acid batteries, sealed lead acid batteries, lithium batteries, NI-MH batteries, Nickel Cadmium batteries, etc. They are used to cycle charge or floating charge battery pack in electric cars, sightseeing vehicles, patrol vehicles, fork lifts, communication, electric power, ships, etc.